

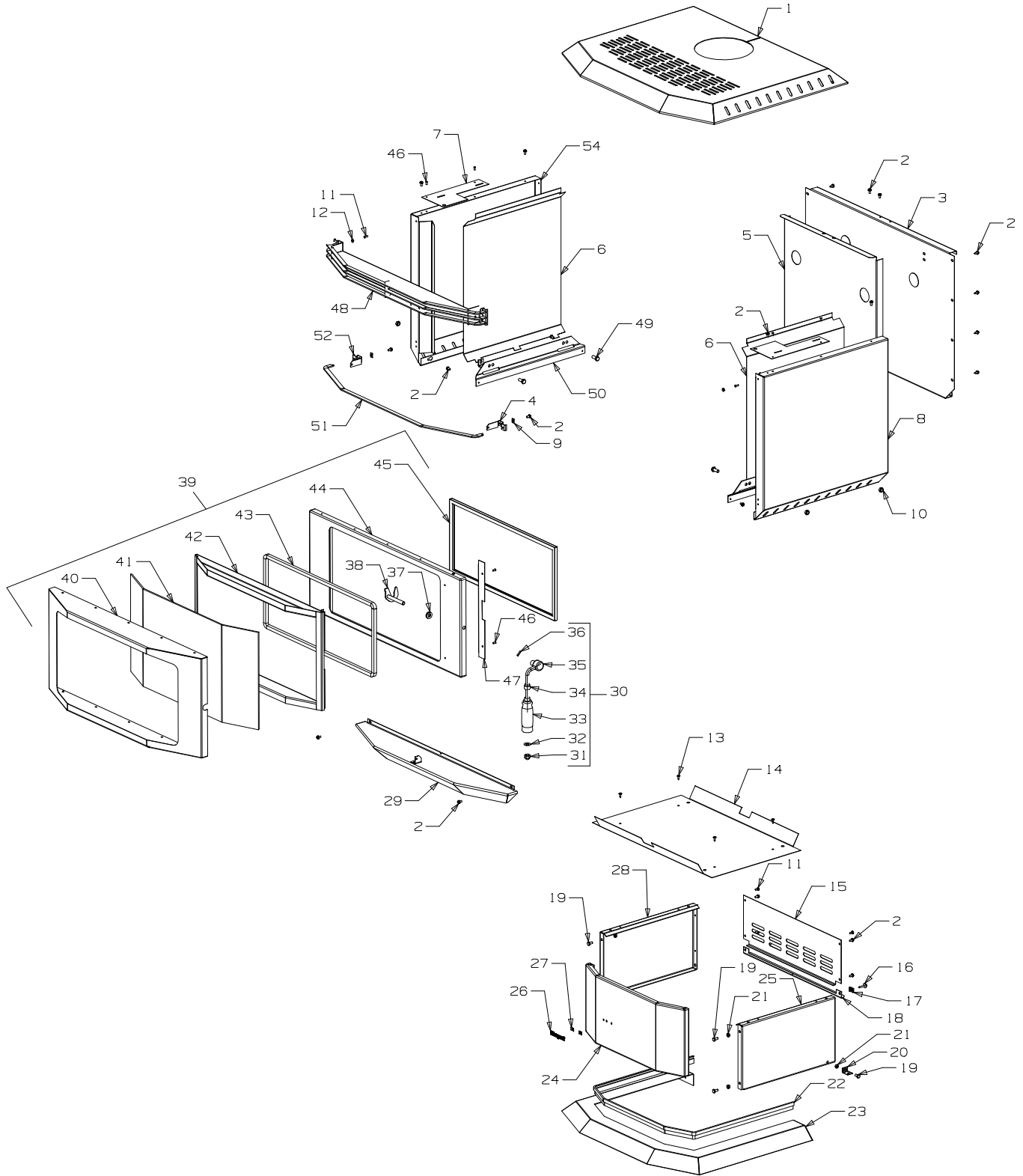
# Masport®

## GRANDVIEW (NZ & AUST)

		NZ	AUST
<b>Part Numbers</b>	Matt Black	995926	995927
	Moss Green	_____	995529

**From Serial Number 3011594**

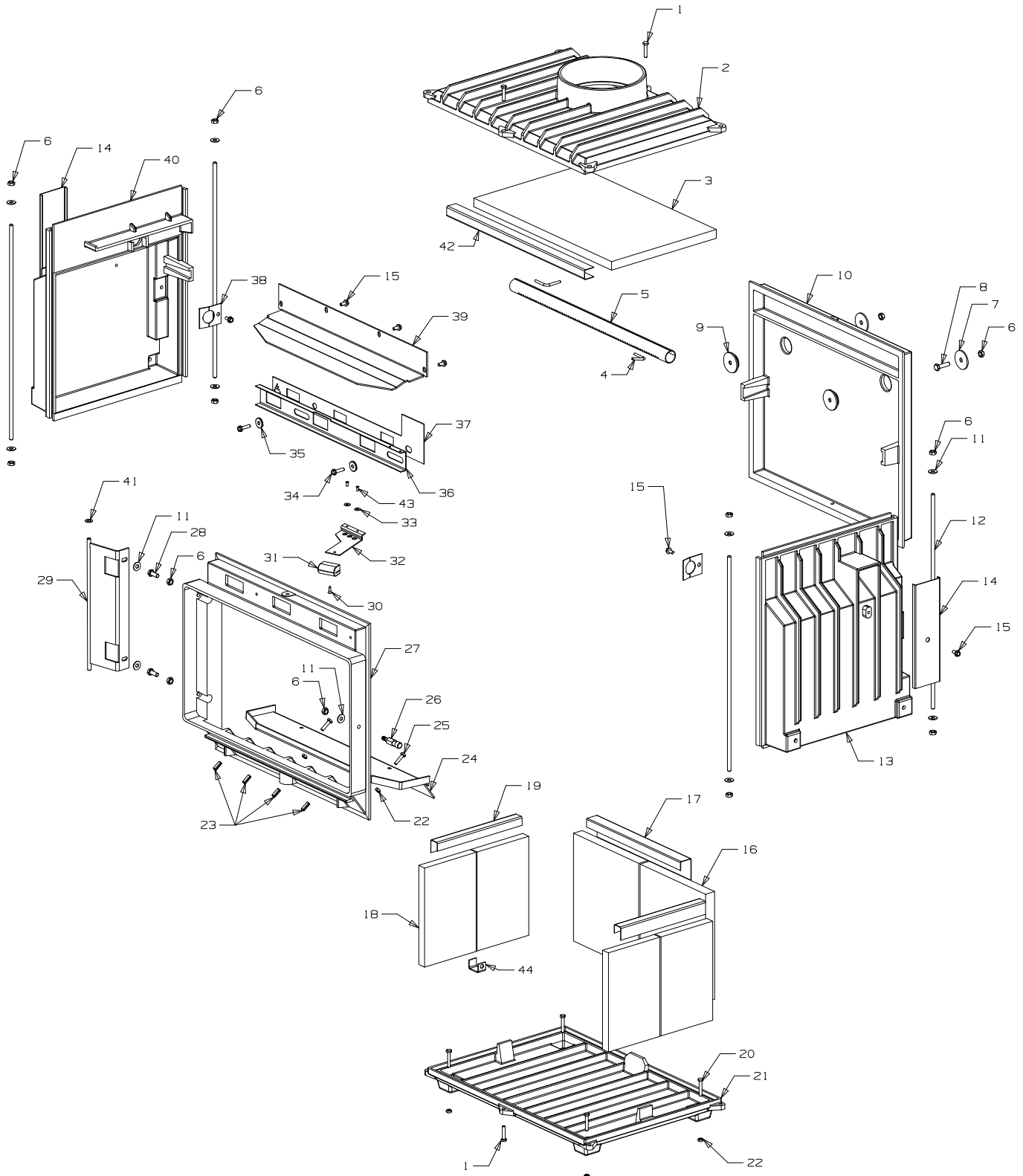






<i>Item No</i>	<i>Part No</i>	<i>Description</i>	<i>Qty</i>	<i>Item No</i>	<i>Part No</i>	<i>Description</i>	<i>Qty</i>
1	<b>795521</b>	Panel-Top - Metallic Black	1	26	<b>584581</b>	Badge	1
	• <b>795599</b>	Panel-Top - Moss Green	1	27	<b>503381</b>	Push Fix Spire	2
2	<b>503630</b>	Screw; S/T 10 x .4	22	28	<b>795614</b>	Panel-Pedestal, LH Side - Metallic Black	1
3	<b>795534</b>	Panel-Rear - Metallic Black	1		• <b>795593</b>	Panel-Pedestal, LH Side - Moss Green	1
	• <b>795569</b>	Panel-Rear - Moss Green	1	29	<b>795525</b>	Panel-Front - Metallic Black	1
4	<b>503259</b>	Screw;S/T 10 x .5	8		• <b>795600</b>	Panel-Front - Moss Green	1
5	<b>995528</b>	Heatshield-Back	1	30	<b>795598</b>	<b>Handle Assy-Door, Complete</b>	1
6	<b>995529</b>	Heatshield-Side	2	31	<b>586726</b>	• Nut, M10 HEX DOME	1
7	<b>995536</b>	Brace-Top, Side Panel	2	32	<b>586722</b>	• Handle-Door	1
8	<b>795531</b>	Panel-Side, RH - Metallic Black	1	33	<b>586724</b>	• Ferrule	1
	• <b>795562</b>	Panel-Side, RH - Moss Green	1	34	<b>586714</b>	• Handle Assy	1
9	<b>995542</b>	Bracket-Rretaining, Board	4	35	<b>503006</b>	• Pin-Tension 4 x 16	1
10	<b>501602</b>	Nut, M8 Hex	18	36	<b>501704</b>	• Washer, Flat 10 x 21 x 1.6	3
11	<b>986149</b>	Spacer-Front Panel	2	37	<b>986630</b>	• Latch-Door Assy, 10mm	1
12	<b>586167</b>	Rivet-Pop 4.0 Dia x 4.8	2	38	<b>795501</b>	<b>Door Assy-Complete - Metallic Black</b>	1
13	<b>503005</b>	Screw; Pan No.10 x 1/2"	4		• <b>795566</b>	<b>Door Assy-Complete - Moss Green</b>	1
14	<b>995540</b>	Heatshield-Bottom	1	39	<b>795502</b>	• Cover-Door - Metallic Black	1
15	<b>795588</b>	Panel-Pedestal, Back - Metallic Black	1		• <b>795601</b>	• Cover-Door - Moss Green	1
	• <b>795589</b>	Panel-Pedestal, Back - Moss Green	1	40	<b>795500</b>	• Glass	1
16	<b>503459</b>	Screw, S/T 12 x 25	6	41	<b>995504</b>	• Frame Assy-Glass	1
17	<b>503388</b>	Nut-Spire	6	42	<b>795596</b>	• Seal Kit-Door Glass	1
18	<b>995612</b>	Bracket-Seismic Restraint	1	43	<b>795503</b>	• Panel-Door - Matt Black	1
19	<b>501959</b>	Screw, Set M6 x 12 Hex	6	44	<b>795597</b>	• Seal-Door	1
20	<b>986413</b>	Bracket-Seismic Restraint	2	45	<b>586167</b>	• Rivet-Pop 4.0 Dia x 4.8	6
21	<b>501682</b>	Nut, M6 Hex	19	46	<b>995511</b>	• Channel Assy-Rope, Hinge	1
22	<b>795523</b>	Trim-Pedestal - Metallic Black	1	47	<b>795530</b>	Panel-Side, LH - Metallic Black	1
	• <b>795564</b>	Trim-Pedestal - Moss Green	1		• <b>795561</b>	Panel-Side, LH - Moss Green	1
23	<b>795543</b>	Panel-Pedestal, Foot - Metallic Black	1	48	<b>795514</b>	Grille Assy, Upper	1
	• <b>795563</b>	Panel-Pedestal, Foot - Moss Green	1	49	<b>501597</b>	Screw, Set M8 x 20	6
24	<b>795590</b>	Panel-Pedestal, Front - Metallic Black	1	50	<b>995548</b>	Bracket-Mounting, Cabinet	2
	• <b>795591</b>	Panel-Pedestal, Front - Moss Green	1	51	<b>795526</b>	Blade-Grille, Lower	1
25	<b>795613</b>	Panel-Pedestal, RH Side - Metallic Black	1	52	<b>995537</b>	Bracket-Mounting, Grille LH, Bottom	1
	• <b>795595</b>	Panel-Pedestal, RH Side - Moss Green	1	53	<b>995538</b>	Bracket-Mounting, Grille LH, Bottom	1
				54	<b>503675</b>	Clip-Starlock, 4 Dia	6

**Bold Text** = Assemblies  
**Bulleted Text** = Items included in Assemblies

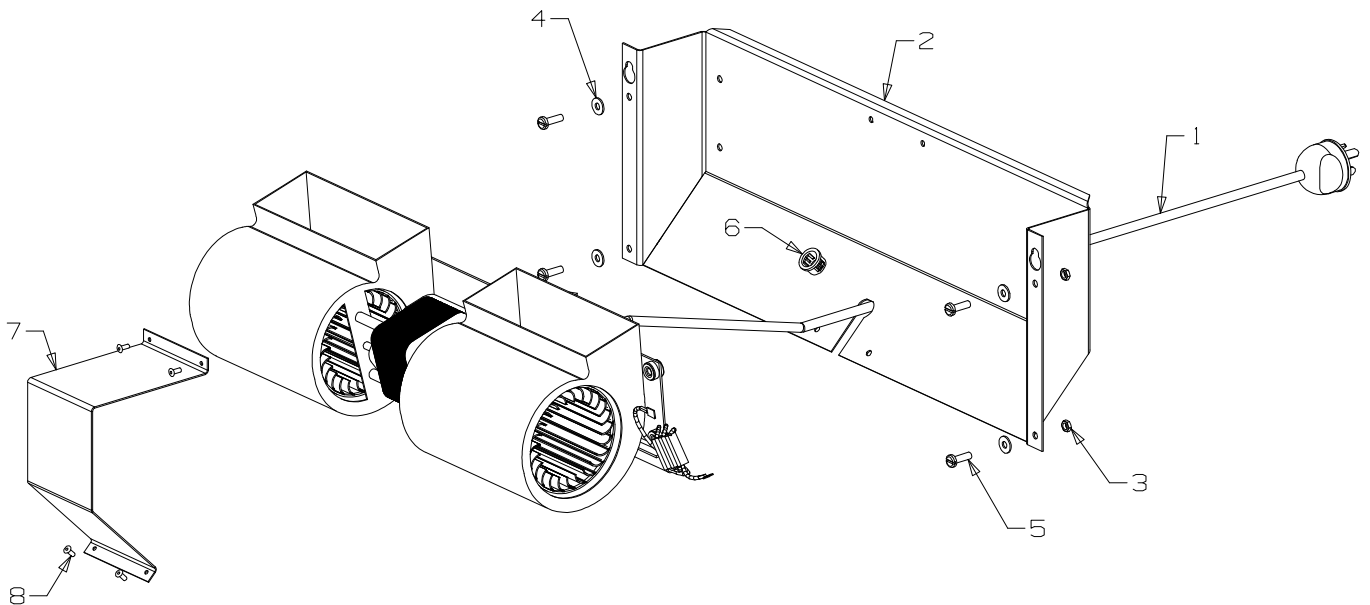




<i>Item</i>	<i>Part No</i>	<i>Description</i>	<i>Qty</i>	<i>Item</i>	<i>Part No</i>	<i>Description</i>	<i>Qty</i>
<b>1</b>	<b>501962</b>	Screw, Set M6 x 30	<b>4</b>	<b>20</b>	<b>501815</b>	Screw, Set M6 x 35	<b>4</b>
<b>2</b>	<b>795544</b>	Firebox-Top	<b>1</b>	<b>21</b>	<b>987304</b>	Firebox-Bottom	<b>1</b>
<b>3</b>	<b>787109</b>	Board-Firebox, Top 20 x 290 x 470	<b>1</b>	<b>22</b>	<b>501682</b>	Nut, M6 HEX	<b>19</b>
<b>4</b>	<b>586439</b>	Pin-Retaining, Secondary Air Tube	<b>2</b>	<b>23</b>	<b>503008</b>	Pin, Tension 8 x 20	<b>4</b>
<b>5</b>	<b>987591</b>	Tube-Secondary Air, 65 x 3.5 S/S	<b>1</b>	<b>24</b>	<b>995524</b>	Ash-Retainer	<b>1</b>
<b>6</b>	<b>501602</b>	Nut, M8 HEX	<b>18</b>	<b>25</b>	<b>501963</b>	Screw, Set M6 x 25	<b>2</b>
<b>7</b>	<b>502093</b>	Washer, Flat 8 x 42 x 3.0	<b>2</b>	<b>26</b>	<b>595545</b>	Pin-Door Latch	<b>1</b>
<b>8</b>	<b>501685</b>	Screw, Set M8 x 30 HEX	<b>6</b>	<b>27</b>	<b>795558</b>	Firebox-Front	<b>1</b>
<b>9</b>	<b>984090</b>	Plug-34Dia (Incl. No's 6-8)	<b>2</b>	<b>28</b>	<b>501597</b>	Screw, Set M8 x 20 HEX	<b>6</b>
<b>10</b>	<b>987303</b>	Firebox-Back	<b>1</b>	<b>29</b>	<b>995522</b>	Hinge Assy	<b>1</b>
<b>11</b>	<b>501606</b>	Washer, Flat 8 x 19 x 1.6	<b>14</b>	<b>30</b>	<b>503004</b>	Screw; Csk No. 8 x 5/8"	<b>3</b>
<b>12</b>	<b>587108</b>	Rod-Tie, M8	<b>4</b>	<b>31</b>	<b>586162</b>	Knob-Air Control	<b>1</b>
<b>13</b>	<b>795522</b>	Firebox-RH Side	<b>1</b>	<b>32</b>	<b>995551</b>	Extension-Slide, Air Inlet	<b>1</b>
<b>14</b>	<b>986146</b>	Cover-Secondary Air	<b>2</b>	<b>33</b>	<b>500848</b>	Washer, Flat 3/16" X .5	<b>2</b>
<b>15</b>	<b>503003</b>	Screw; S/T 1/4" x .5 HEX	<b>6</b>	<b>34</b>	<b>503336</b>	Screw, S/T M6 X 25	<b>2</b>
<b>16</b>	<b>787112</b>	Brick-Fire, Back 223 x 250 x 25	<b>2</b>	<b>35</b>	<b>595091</b>	Spacer-Air Slide	<b>2</b>
<b>17</b>	<b>987146</b>	Channel-Brick Retainer S/S	<b>1</b>	<b>36</b>	<b>995549</b>	Slide-Air Inlet 25 x 50	<b>1</b>
<b>18</b>	<b>795546</b>	Board-Firebox-Side 20 x 143 x 230	<b>4</b>	<b>37</b>	<b>995615</b>	Plate, Back-Meter - NZ	<b>1</b>
<b>19</b>	<b>995552</b>	Channel-Brick Retainer	<b>2</b>	<b>•</b>	<b>995587</b>	Plate, Back-Meter - AUST	<b>1</b>
				<b>38</b>	<b>995541</b>	Bracket-Retaining, Board	<b>2</b>
				<b>39</b>	<b>795229</b>	Deflector-Primary Air	<b>1</b>
				<b>40</b>	<b>795517</b>	Firebox-LH Side	<b>1</b>
				<b>41</b>	<b>006025</b>	Washer, Flat 5/16"	<b>1</b>

**Bold Text** = Assemblies  
**Bulleled Text** = Items included in Assemblies

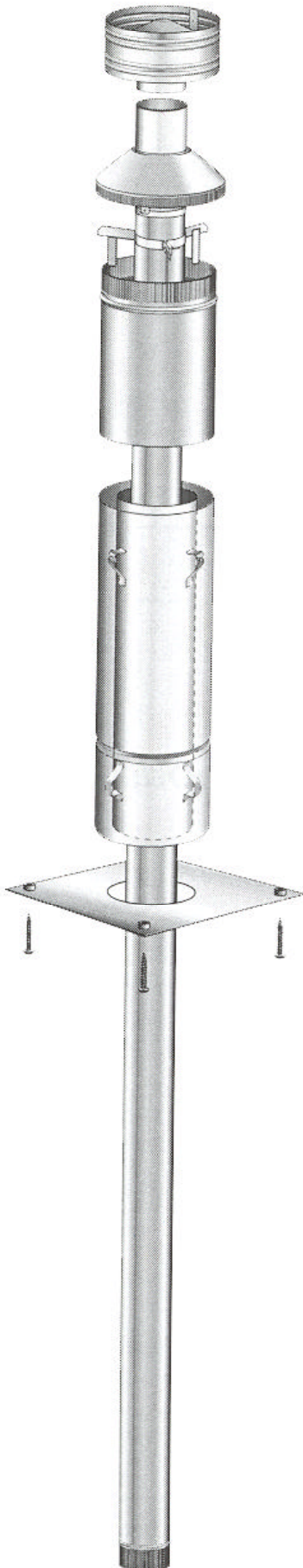




<b>Item No</b>	<b>Part No</b>	<b>Description</b>	<b>Qty</b>	<b>Item No</b>	<b>Part No</b>	<b>Description</b>	<b>Qty</b>
1	586575	Fan-3 Speed (Incl. Cord) - Double End	1	5	501580	Screw, Pan M5 x 16	5
2	995226	Panel-Pedestal, Back	1	6	503676	Bush-Plastic	1
3	501856	Nut, M5	5	7	995227	Cover-Fan, Motor	1
4	500848	Washer, Flat 3/16" x .5	5	8	501110	Screw, S/T 6 x .25	6



## ***Free Standing Flue Kit***



### ***175mm Flue Kit***

(to suit Colorado, ***Grandview***)

#### ***Contains:***

- 3 x 1200mm lengths Flue
- 1 x 1200mm length Outer / Inner Heat Shield Combination
- 1 x 600mm Outer Shield Extension
- 1 x Anti Down Draught Cowl
- 1 x Casing Cover
- 1 x top Flue Spacer Bracket
- 1 x Ceiling Plate
- 1 x Packet screws & Ceramic Spacers

Note: Flue Reflector is required for standard installations

***NZ ONLY***

***Part No: 556100***



<b>Item No</b>	<b>Part No</b>	<b>Description</b>	<b>Qty</b>
		<b>NOT ILLUSTRATED</b>	
	<b>585416</b>	Bag-Fire Bedding Sand (Firebox)	<b>1</b>
	<b>584048</b>	Tube-Maniseal (Firebox)	<b>1</b>
	<b>593000</b>	Owners Manual	<b>1</b>
		<b>ASSEMBLYS</b>	
	<b>787300</b>	Firebox Assembly	<b>1</b>
	<b>995539</b>	Pedestal Assy - Packed - Metallic Black	<b>1</b>
	<b>995565</b>	Pedestal Assy - Packed - Moss Green	<b>1</b>
	<b>995543</b>	Foot Assy - Packed (Incl. Trim) - Metallic Black	<b>1</b>
	<b>995563</b>	Foot Assy - Packed (Incl. Trim) - Moss Green	<b>1</b>
		<b>ACCESSORIES</b>	
	<b>586044</b>	Hot Water Booster - LE (also need 986788)	<b>1</b>
	<b>987373</b>	Board-Top (Pack of 5)	<b>1</b>
	<b>586261</b>	Paint, Touch Up - Metallic Black	<b>1</b>